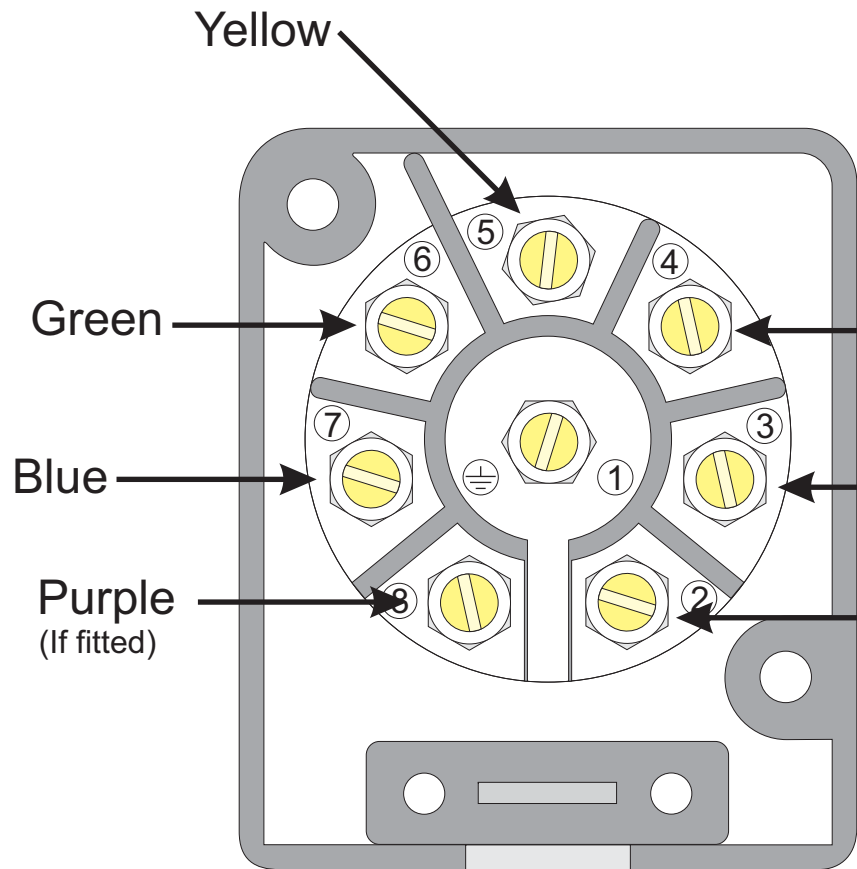


Pennine Radio Limited
 82 Fitzwilliam St, Huddersfield, HD1 5BE - UK
 www.prl.co.uk - 01484 538211

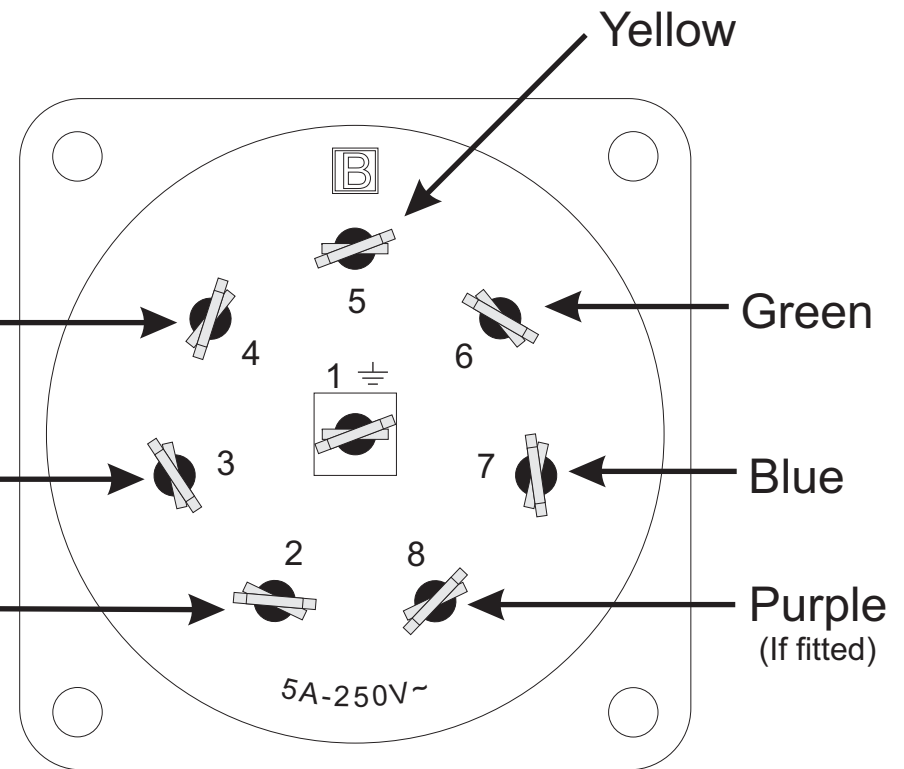
Golf Cart Main Wiring Diagram

© Copyright Mar 5 2004
 All rights reserved

Drawn By:
 N C H Beaumont



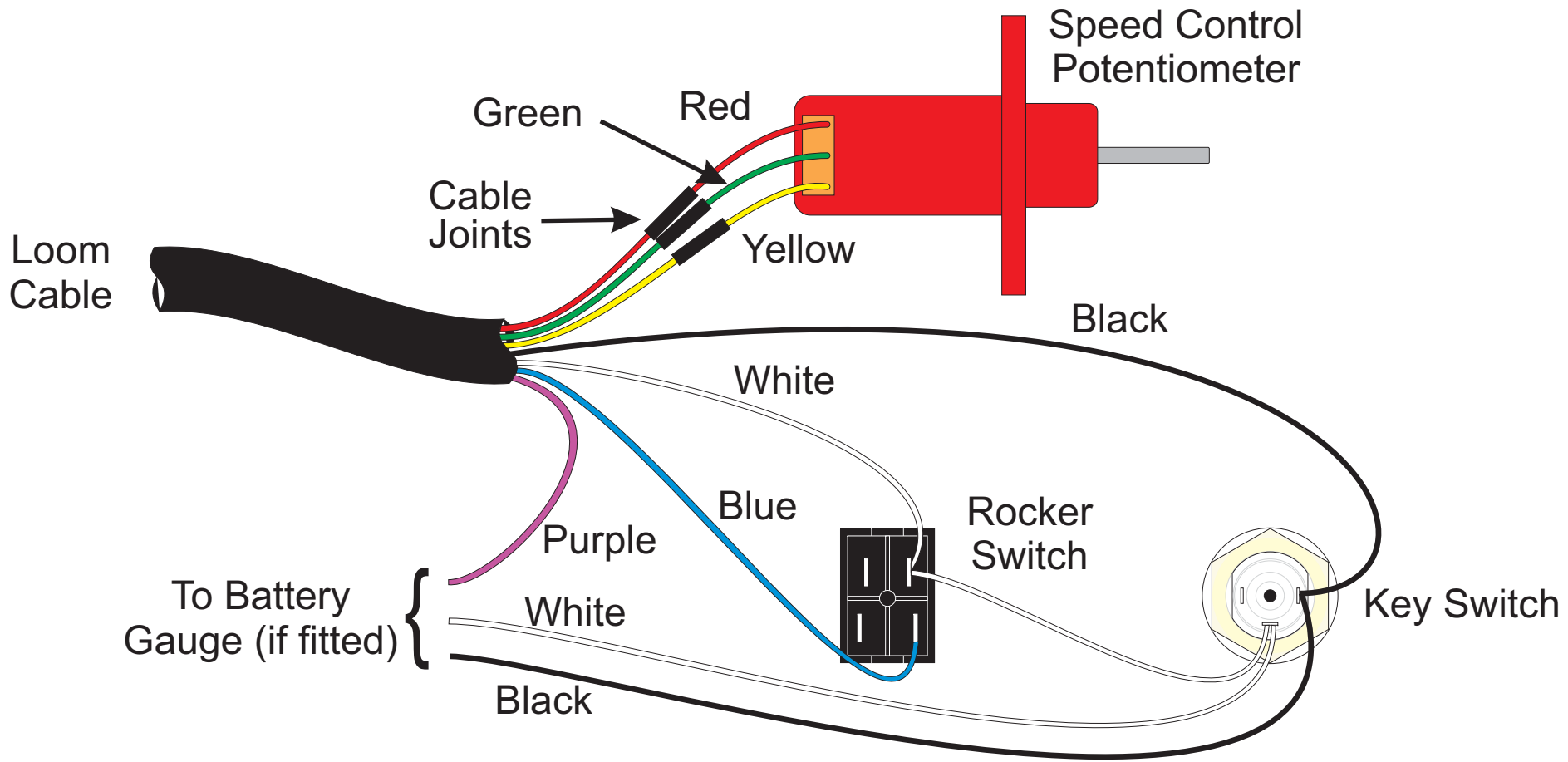
Loom Plug
(Viewed on the screw connectors)



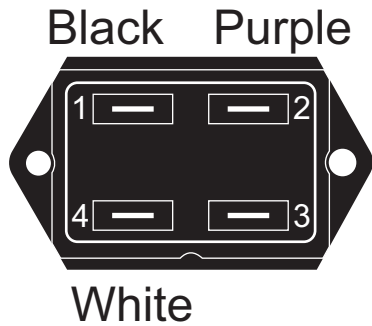
Fork Socket
(Viewed on the soldered end of the pins)

Modified 3/Mar/04

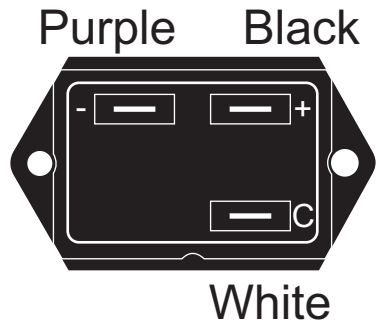
Pennine Radio Limited 82 Fitzwilliam St, Huddersfield, HD1 5BE - UK www.prl.co.uk - 01484 538211	
Golf Cart Controller 8 pin Plug & Loom Socket	
© Copyright Feb 9 2004 All rights reserved	Drawn By: N C H Beaumont



4 Terminal Battery Gauge



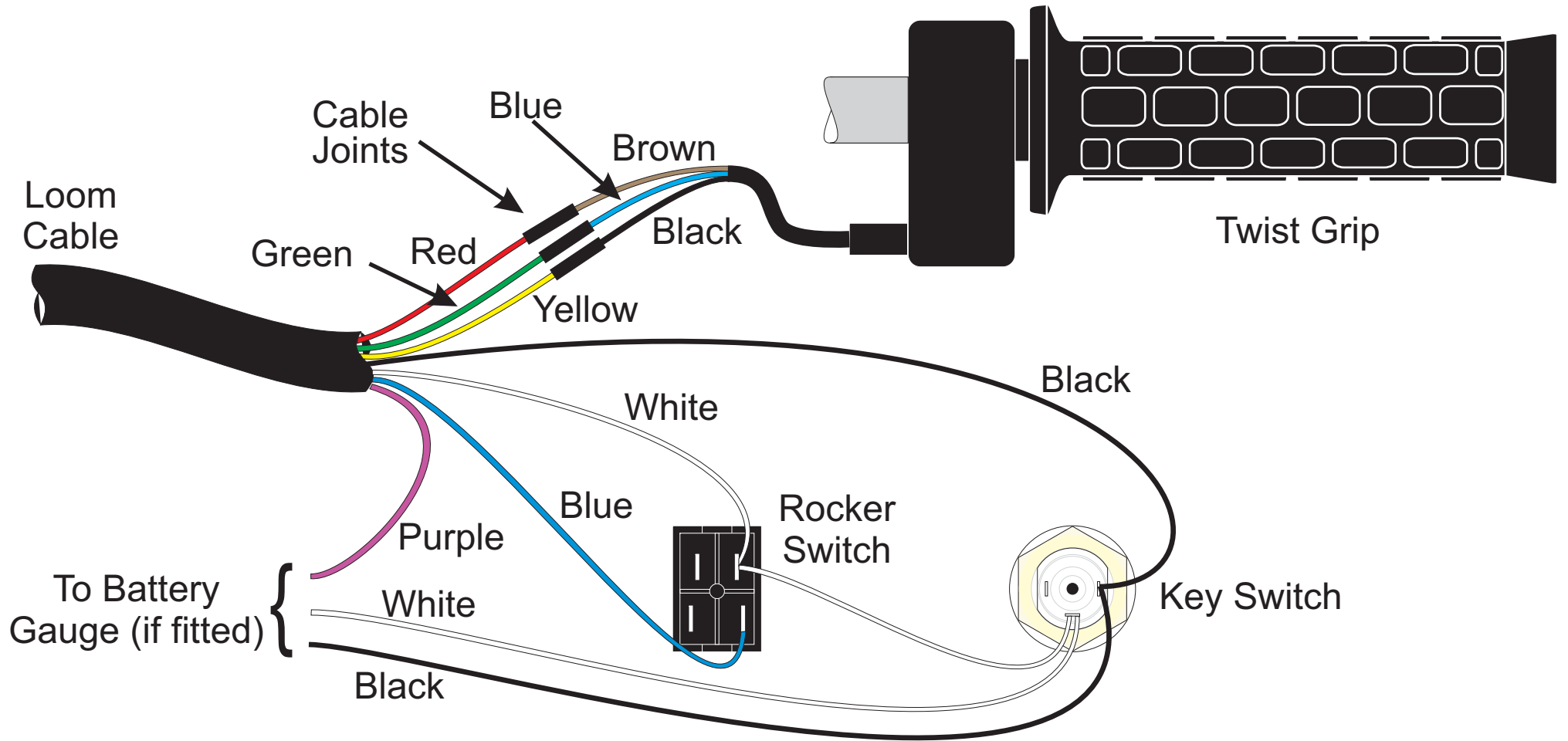
3 Terminal Battery Gauge



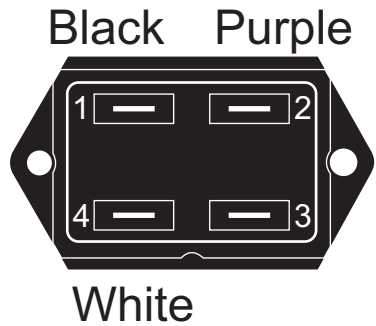
Pennine Radio Limited
 82 Fitzwilliam St, Huddersfield, HD1 5BE - UK
 www.prl.co.uk - 01484 538211

Driver Golf Cart Wiring Diagram for Hand Controller

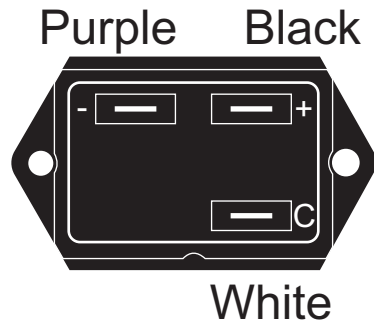
© Copyright Mar 5 2004 All rights reserved
 Drawn By: N C H Beaumont



4 Terminal Battery Gauge



3 Terminal Battery Gauge

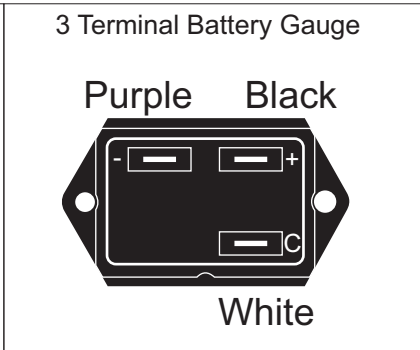
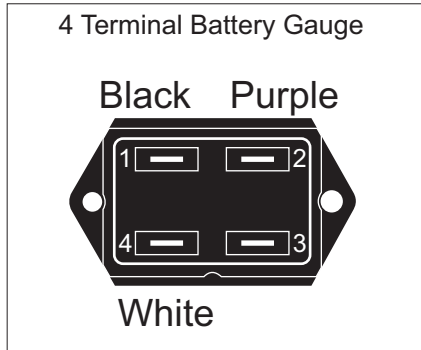
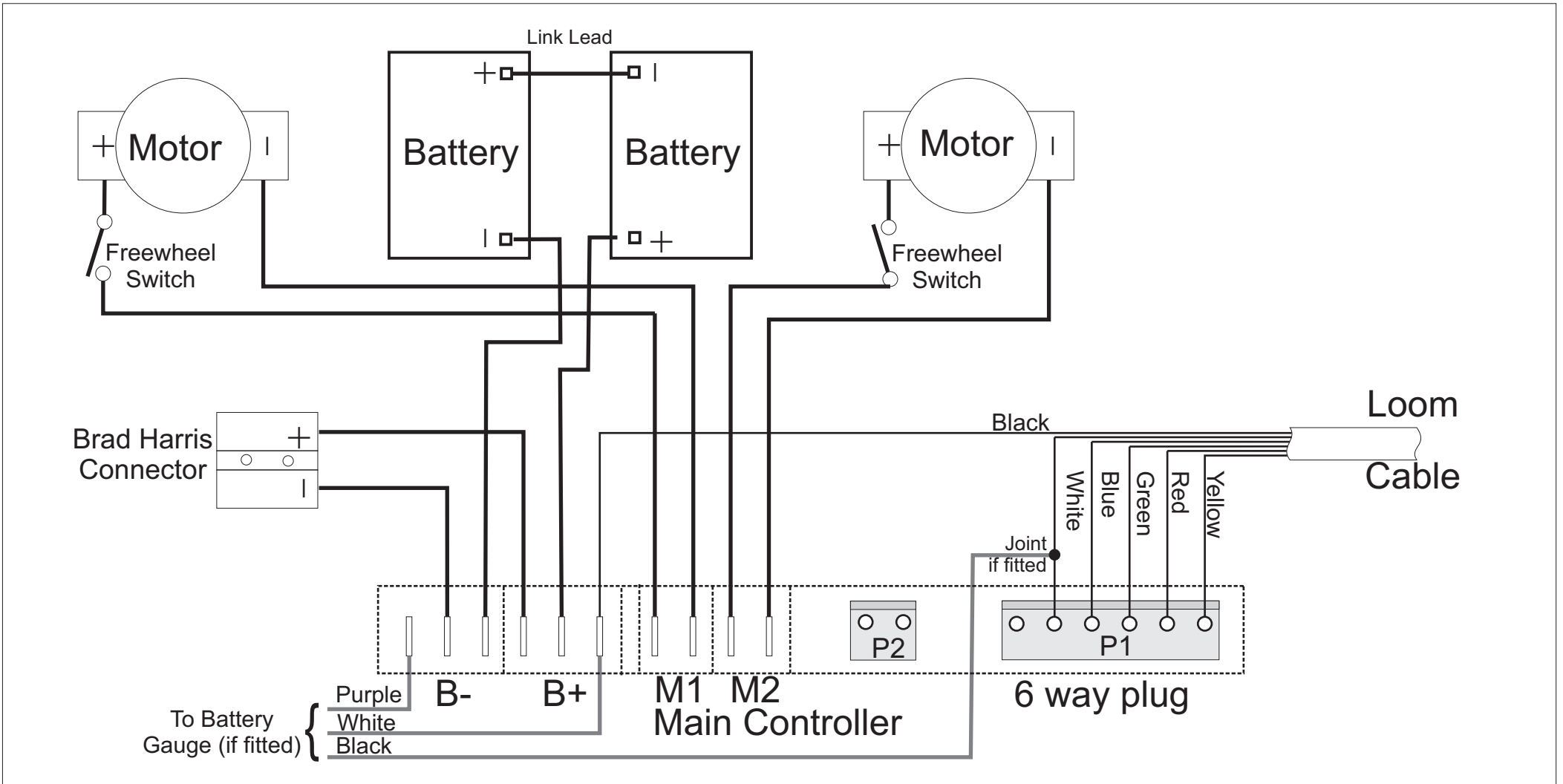


Pennine Radio Limited
 82 Fitzwilliam St, Huddersfield, HD1 5BE - UK
 www.prl.co.uk - 01484 538211

**Fore Golf Cart Wiring
 Diagram for Hand Controller**

© Copyright Mar 5 2004
 All rights reserved

Drawn By:
 N C H Beaumont



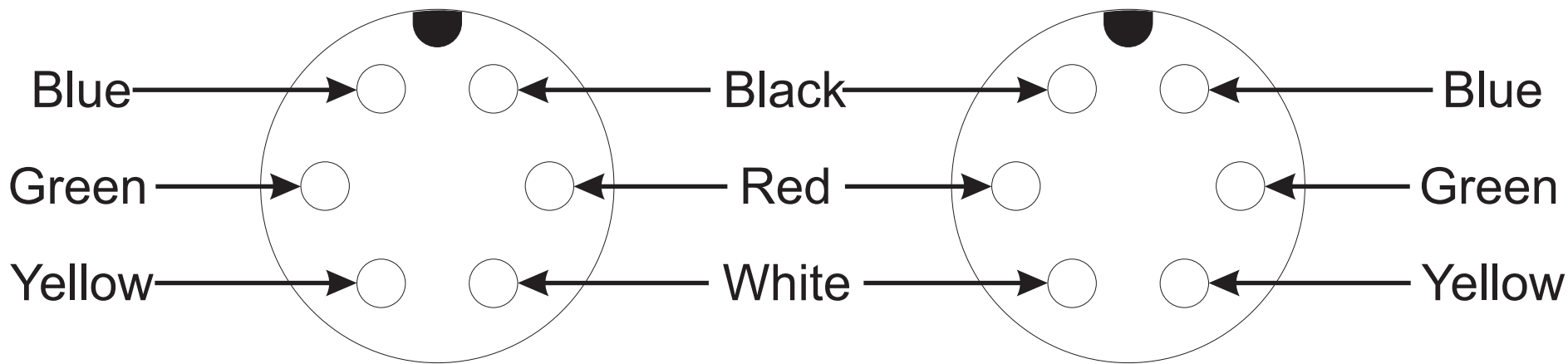
Battery Gauge
 (These were not available at the time of production but have been retro-fitted on some carts)

Pennine Radio Limited
 82 Fitzwilliam St, Huddersfield, HD1 5BE - UK
 www.prl.co.uk - 01484 538211

**Older Models Golf Cart
 Main Wiring Diagram**

© Copyright Dec 8 2006
 All rights reserved

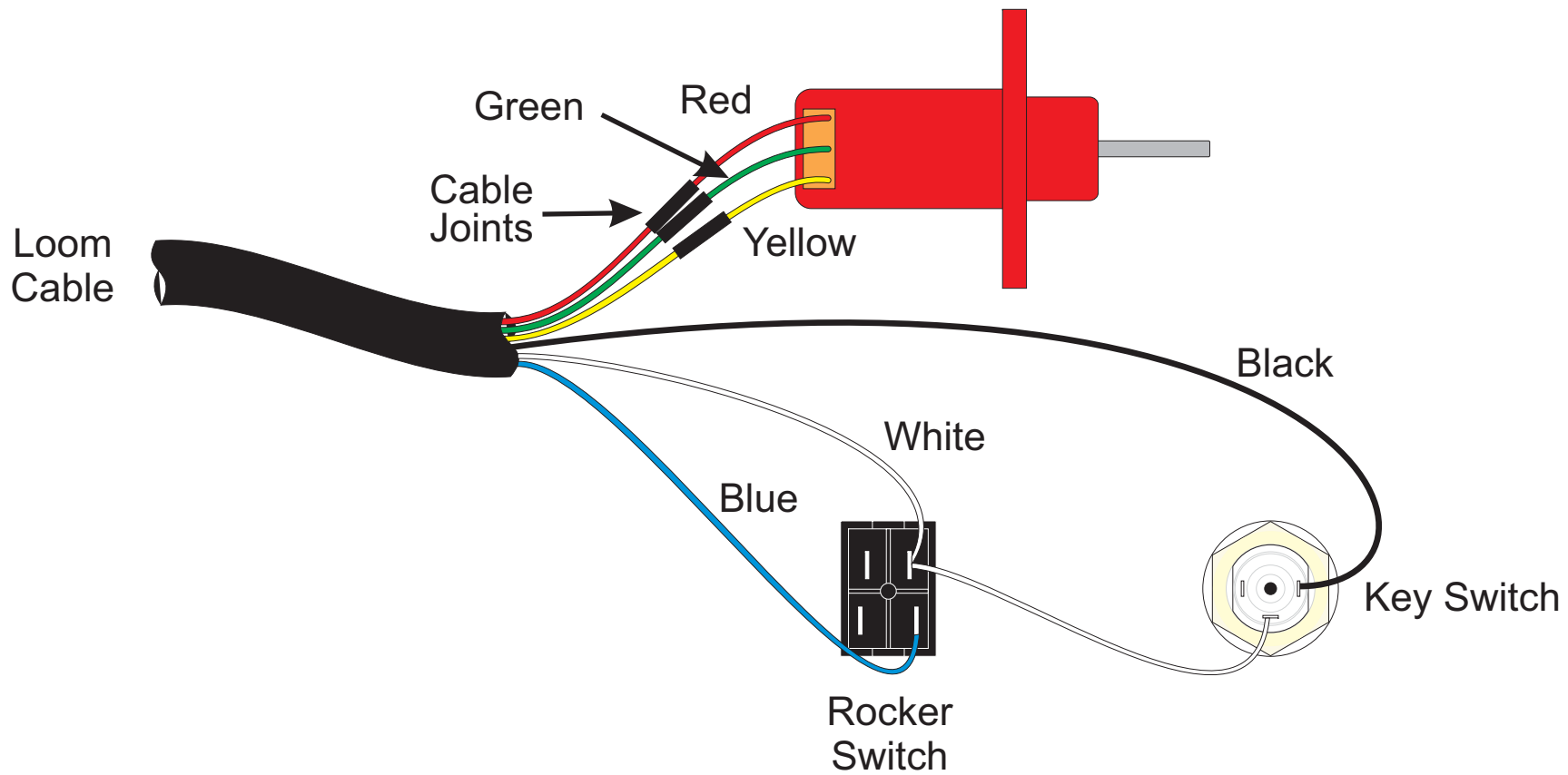
Drawn By:
 N C H Beaumont



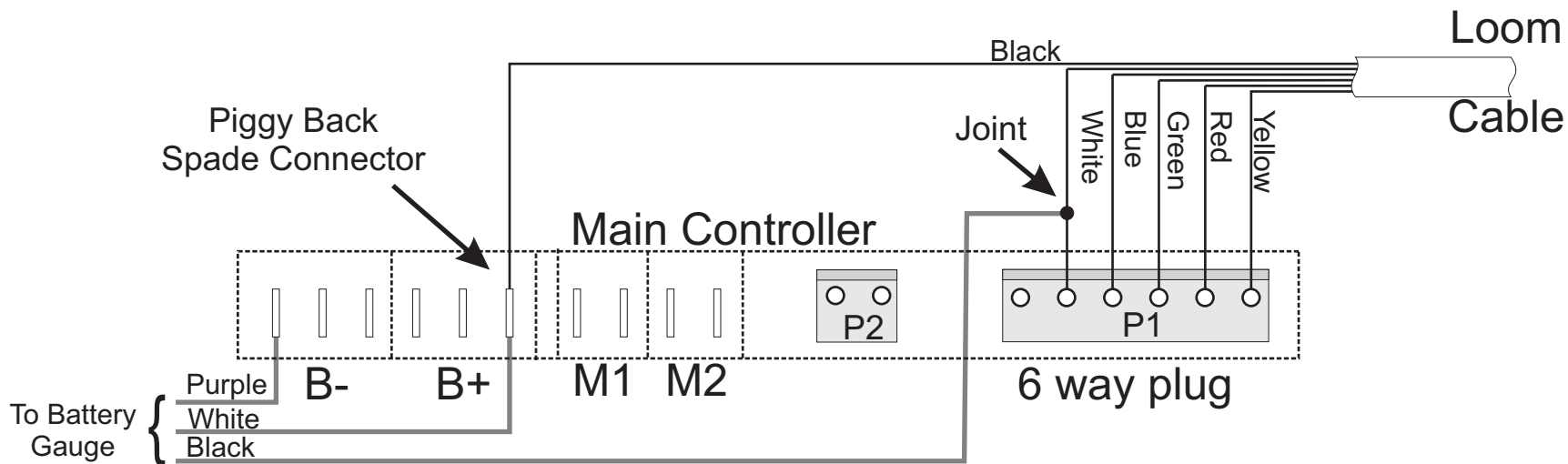
Hand Controller Plug
 (Viewed on the soldered end of the pins)

Loom Socket
 (Viewed on the soldered end of the pins)

<p>Pennine Radio Limited 82 Fitzwilliam St, Huddersfield, HD1 5BE - UK www.prl.co.uk - 01484 538211</p>	
<p>Older Models Golf Cart Loom Connector Diagram</p>	
<p>© Copyright Dec 6 2006 All rights reserved</p>	<p>Drawn By: N C H Beaumont</p>

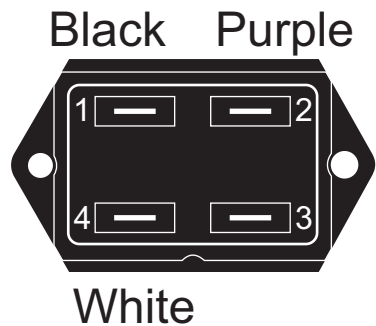


Pennine Radio Limited 82 Fitzwilliam St, Huddersfield, HD1 5BE - UK www.prl.co.uk - 01484 538211	
Older Models Golf Cart Hand Controller Diagram	
© Copyright Dec 6 2006 All rights reserved	Drawn By: N C H Beaumont

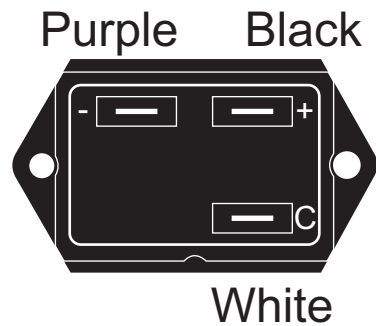


Retro-Fitting the battery Gauge should only be undertaken by a competent Auto-Electrician.

4 Terminal Battery Gauge



3 Terminal Battery Gauge



Pennine Radio Limited 82 Fitzwilliam St, Huddersfield, HD1 5BE - UK www.prl.co.uk - 01484 538211	
Older Models Golf Cart Retro-fit Battery Gauge	
© Copyright Dec 8 2006 All rights reserved	Drawn By: N C H Beaumont